

## Technical data

# MIKRON HSM 400 LP    MIKRON HSM 600 LP MIKRON HSM 400U LP    MIKRON HSM 600U LP MIKRON HSM 500 LP    MIKRON HSM 800 LP

### Linear Performance

			MIKRON HSM 400 LP	MIKRON HSM 400U LP	MIKRON HSM 500 LP	MIKRON HSM 600 LP	MIKRON HSM 600U LP	MIKRON HSM 800 LP
--	--	--	----------------------	-----------------------	----------------------	----------------------	-----------------------	----------------------

### Workarea

Longitudinal	X	mm	500	500	500	600	800	800
Lateral	Y	mm	450	240	450	600	600	600
Vertical	Z	mm	360	360	360	500	500	500
Swivelling axis		°	-	+110/-110	-	-	+ 30/-110°	-
Tilting axis		°	-	n x 360	-	-	n x 360°	-

### Feed rate

Rapid traverse	X, Y	m / min	60	60	60	60	60	60
Rapid traverse	Z	m / min	60	60	60	60	60	60
Rapid traverse (Swivelling)		rpm	-	165	-	-	60	-
Rapid traverse (Turning)		rpm	-	250	-	-	150	-

### Working spindle (40% ED, S6)

54'000 rpm, HSK-E32	kW / Nm	8.5/ 3.5	8.5/ 3.5	8.5/ 3.5	-	-	-
42'000 rpm, HSK-E40	kW / Nm	13.5/ 8.8	13.5/ 8.8	13.5/ 8.8	13.5/ 8.8	13.5/ 8.8	13.5/ 8.8
36'000 rpm, HSK-E50	kW / Nm	-	-	-	32 /20	32 /20	32 /20
30'000 rpm, HSK-E40	kW / Nm	13.5/ 8.8	13.5/ 8.8	13.5/ 8.8	13.5/ 8.8	13.5/ 8.8	13.5/ 8.8

### Work table

Clamping surface	mm	in acc. Pallet	in acc. Pallet	550 x 450	800 x 600	in acc. Pallet	800 x 600
Max table load	kg	120	25	200	500	120	1000

### Tool magazine

HSK-E32	piece	20/40	20/40	20/40	-	-	-
HSK-E40	piece	18/36/68/168/308	18/36/68/168/308	18/36/68	18/36/68/168/308	18/36/68/168/308	18/36/68/168/308
HSK-E50	piece	-	-	-	15/30/60/120/170/220	15/30/60/120/170/220	15/30/60/120/170/220

### Automation

Pallet size / Number	- / piece	UPC/Dynafix / 7x	M.M. 156/18x	-	600 x 600/4x	UPC/Dynafix / 7x	800 x 600/4x
Pallet size / Number	- / piece	GPS 240/10x	ITS 148/20x	-	-	GPS 240/10x	-
Max. load	kg	80	25	-	500	80	800

### Weight

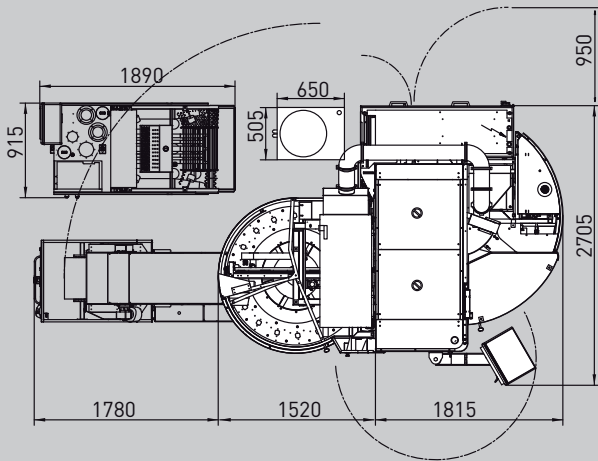
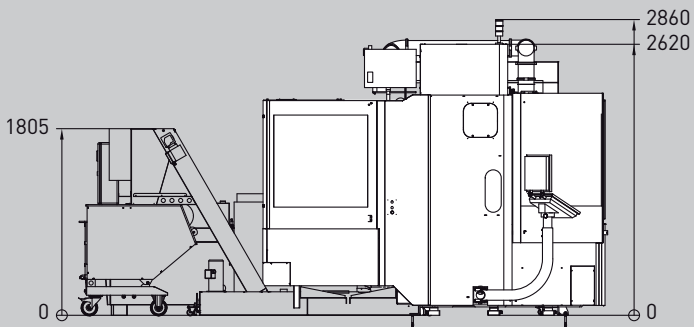
Machine	kg	6'800	7'000	6'800	9'800	10'000	9'800
Pallet magazine	kg	1'200	1'200	-	1'800	1'200	1'800

### Control unit

	Heidenhain	iTNC 530	iTNC 530	iTNC 530	iTNC 530	iTNC 530	iTNC 530
--	------------	----------	----------	----------	----------	----------	----------

smart machine [www.gfac.com](http://www.gfac.com)

**MIKRON HSM 400 LP  
 MIKRON HSM 400U LP  
 MIKRON HSM 500 LP**  
 Standard lift-up chip conveyor  
 and band filter unit



**MIKRON HSM 600 LP  
 MIKRON HSM 600U LP  
 MIKRON HSM 800 LP**  
 High performance lift-up chip conveyor  
 and band filter unit

